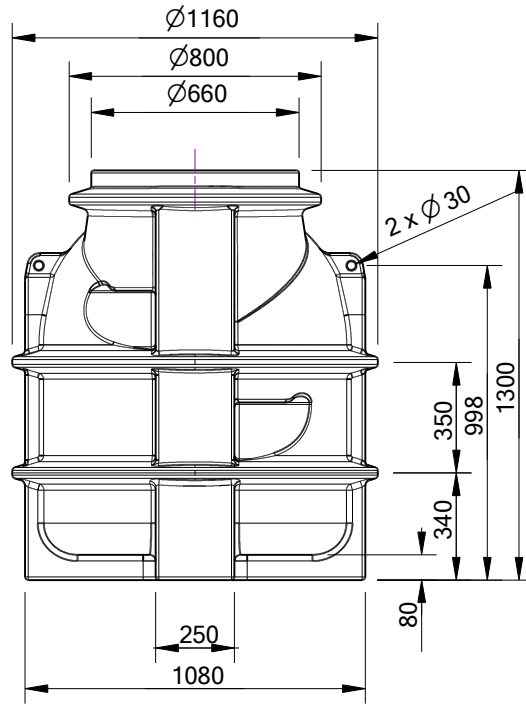
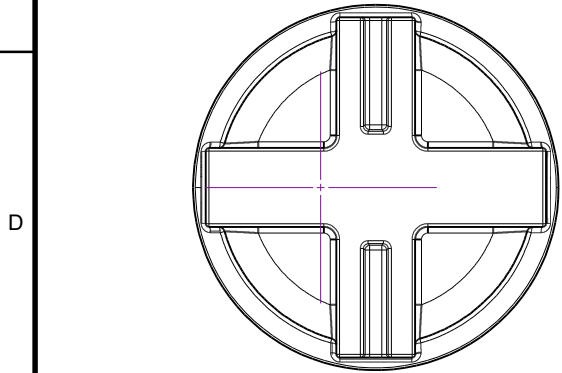
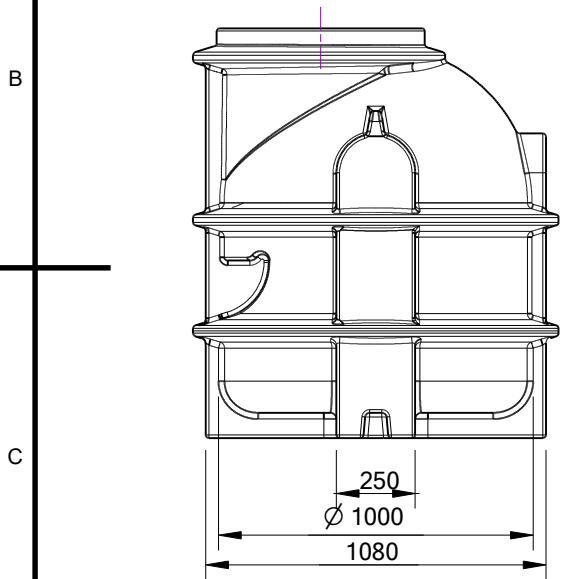
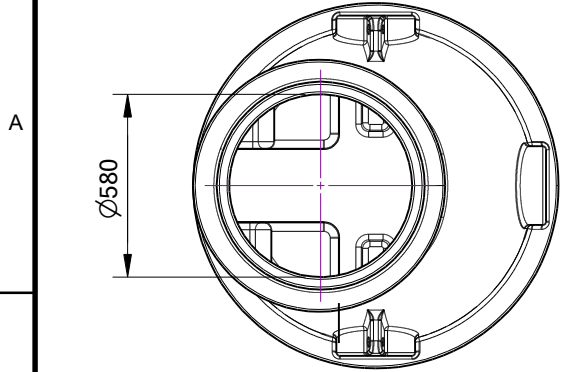


1	2	3	4	5	6
RevNo	Revision note			Date	Signature Checked



Itemref	Quantity	Title/Name, designation, material, dimension etc <b>PE 50kg, 1 m3</b>			Article No./Reference
Drawn by <b>Ing. Jan Burian</b>	Checked by	Approved by - date	File name	Date <b>08.11.2020</b>	Scale <b>1:1</b>
<b>ABV 1000 1300</b>			<b>ABPLAST s.r.o. Pohodlí</b>		
				Edition	Sheet <b>1 OF 1</b>